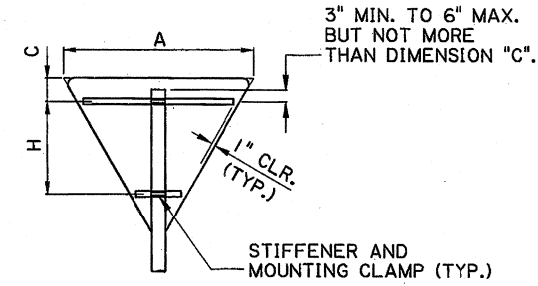
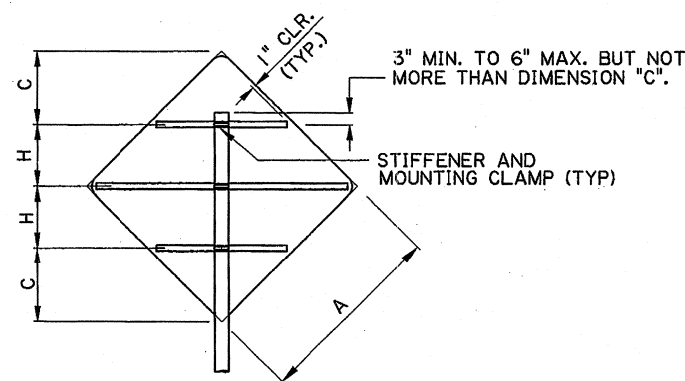


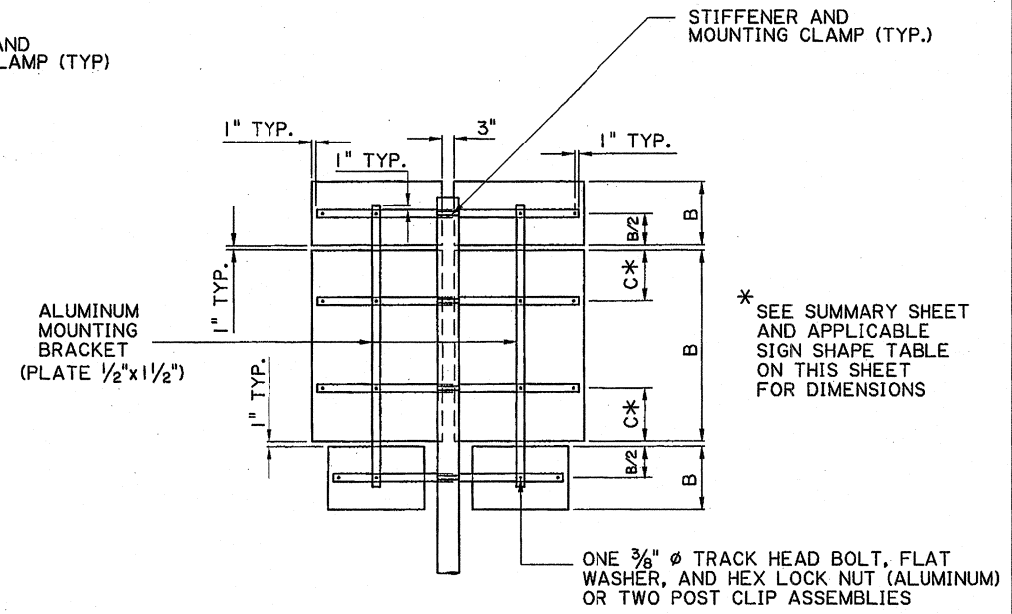
SQUARE, RECTANGLE, CIRCLE, OCTAGON AND ROUTE MARKERS



EQUILATERAL TRIANGLE



DIAMOND



TYPE B SIGN (CLUSTER ASSEMBLY)

SQUARE, RECTANGLE, CIRCLE, OCTAGON AND ROUTE MARKERS

A (IN.)	B (IN.)	C (IN.)	D (IN.)	H (IN.)	STIFFENER
					NUMBER REQUIRED
↑ VARIABLE 12" TO 48" ↓	6	3			1
	12	6			1
	15	7.5			1
	18	9			1
	24	6	12		2
	30	7.5	15		2
	36	7.5	21		2
	48	10	28		2
	60	9	42	21	3
	72	11	6 ^Δ	25	3
84	10.5	6 ^Δ	21	4	
48	96	12	6 ^Δ	24	4

EQUILATERAL TRIANGLE

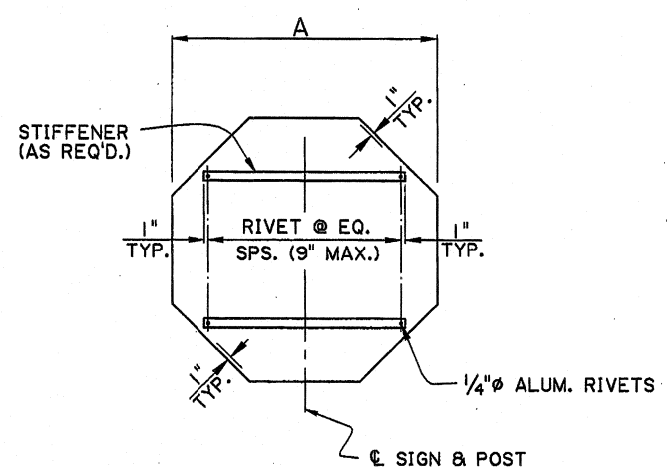
A (IN.)	C (IN.)	H (IN.)	STIFFENER
			NUMBER REQUIRED
24	8		1
30	6	10	2
36	6	12.5	2
48	6	23	2
60	6	33.5	2

DIAMOND

A (IN.)	C (IN.)	H (IN.)	STIFFENER
			NUMBER REQUIRED
24	10	6.97	1
30	12	9.21	2
36	14	11.46	2
48	18.5	15.44	3
60	22.5	19.93	3

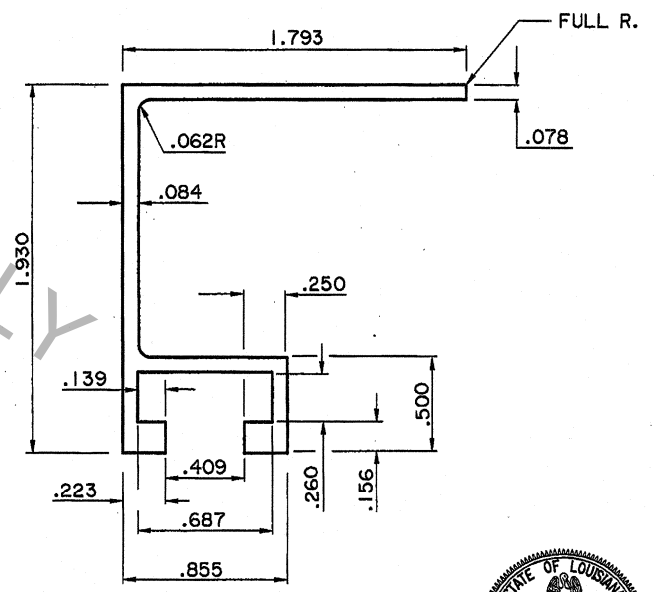
TYPE A SIGNS

Δ LOCATION OF BORDER ANGLE FROM EDGE



TYPICAL SIGN BACKING DETAIL

NOTES:
 NO BOLTS SHALL BE PLACED THROUGH FACE OF SIGN.
 ALL TRACK HEAD BOLTS SHALL HAVE HEADS DESIGNED TO FIT AND TRANSMIT LOAD TO BOLT SLOTS IN THE STIFFENER.
 STIFFENERS SHALL BE ALUMINUM EXTRUSIONS AS DETAILED ON THIS SHEET UNLESS OTHERWISE NOTED.
 MOUNTING CLAMP REQUIRED AT EACH HORIZONTAL STIFFENER.
 SIGN PANELS AND POSTS SHALL BE THE SIZE REQUIRED ON THE PLANS AND SUMMARY SHEET.
 SEE OTHER SHEETS FOR MOUNTING DETAILS.
 THIS SHEET TO BE USED WITH WIND LOAD MAP AND GENERAL NOTE SHEET.



EXTRUSION STIFFENER

STATE OF LOUISIANA
 PAUL B. FOSSIER, JR.
 REG. NO. 21-028
 REGISTERED PROFESSIONAL ENGINEER
 IN CIVIL ENGINEERING
Paul B. Fossier, Jr.
 8-31-00

SHEET NUMBER	DESIGNED	A. ALLEN	CHECKED	A. ALLEN	DATE	JULY 2000
	DRAWN	E. DANIEL	CHECKED	E. DANIEL	DATE	JULY 2000
	PROJECT				STATE	2 OF 11
	PROJECT				PROJECT	
	REVISION DESCRIPTION					
	NO.				DATE	
PANEL DETAILS TYPE A & B SIGNS						
BD.2.7.2.0.2 - ROADSIDE TRAFFIC SIGNS						
BRIDGE AND STRUCTURAL DESIGN						